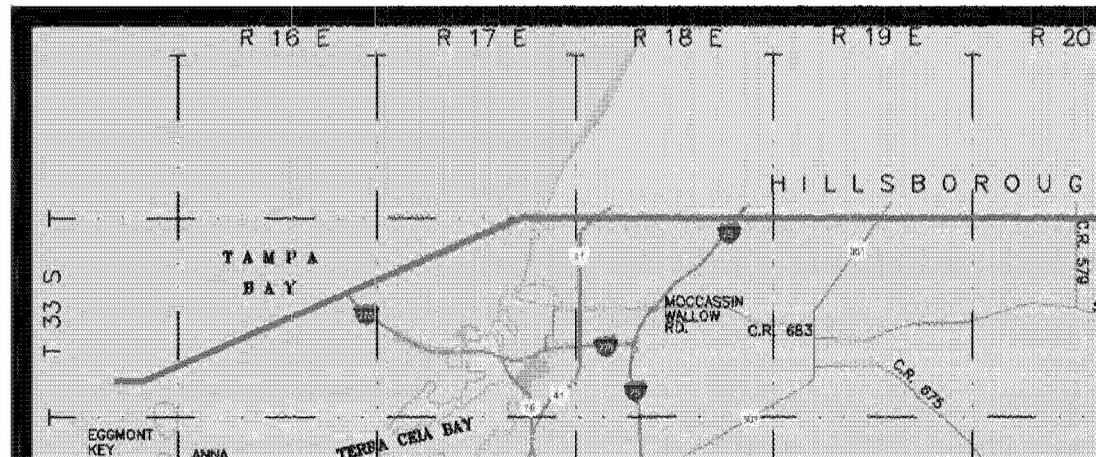
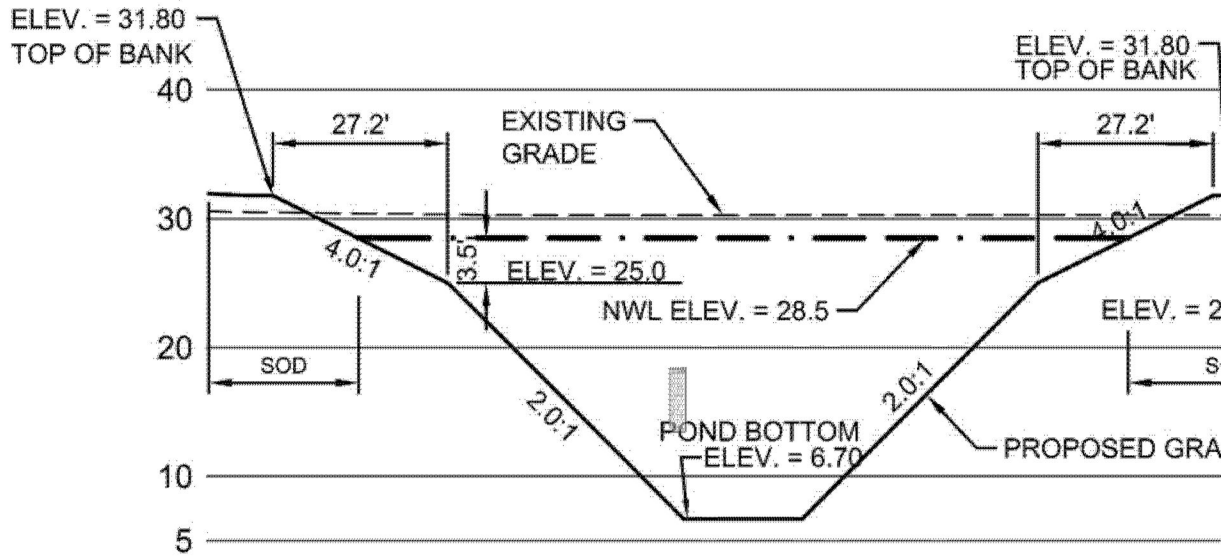


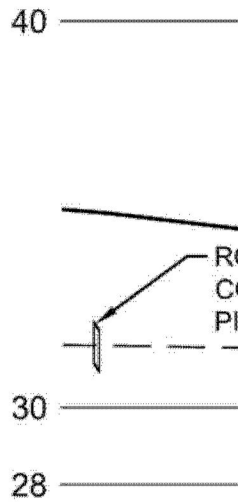
OUR LAD

FINAL S



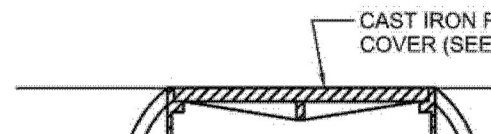


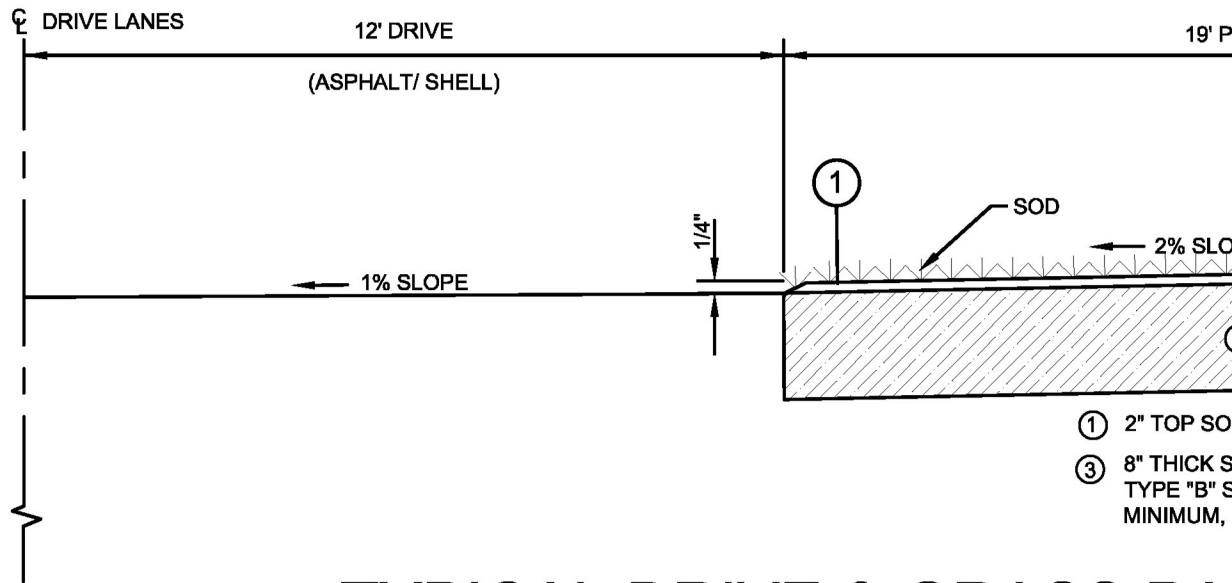
SECTION A-A



NOTES:

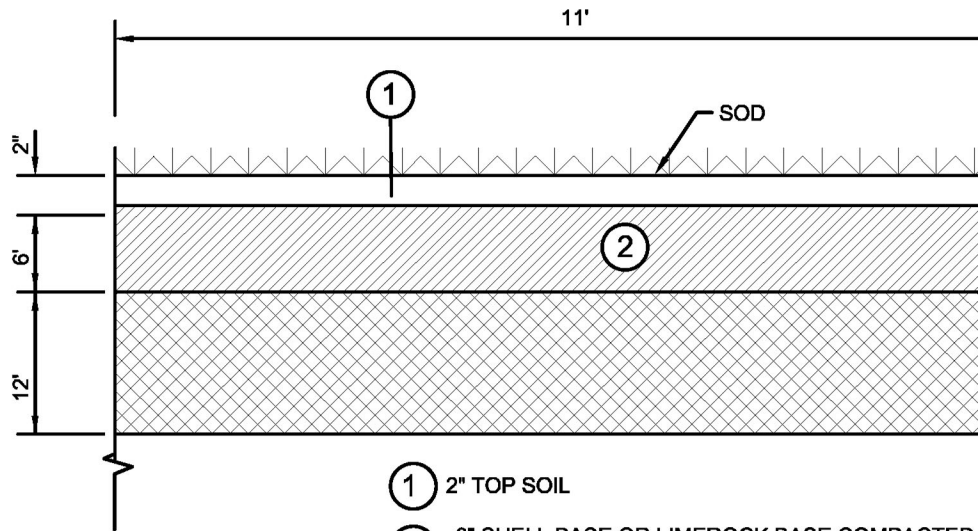
(1) ALL CONCRETE SHALL HAVE A COMPRESSIVE STRENGTH OF AT LEAST 4000 P.S.I. @ 28 DAYS





TYPICAL DRIVE & GRASS PA

N.T.S.



- ① 2" TOP SOIL
- ② 6" SHELL BASE OR LIMEROCK BASE COMPACTED
MAX. DENSITY, LBR 100 OR 6" ASPHALT BASE TYP
IN ACCORDANCE WITH F.D.O.T. SECTIONS, 285, 23
- ③ 12" THICK STABILIZED SUBGRADE
TYPE "B" STABILIZATION
LBR 40 MINIMUM, 98% T-180

LIFT STATION ACCESS DR

N.T.S.

FTP 25 SIGN NOTES



- 1) Top portion of FTP 25 Sign shall have a reflective blue background with white reflective symbol and border.
- 2) Bottom portion shall have a reflective white background with black opaque legend and border.

